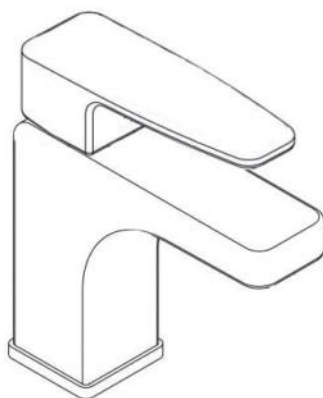




Thank you for choosing Better Bathrooms.
Please read this manual before installing your product
and keep for future reference.

**better
bathrooms**

Product name Mono Basin Mixer



Please note: Image is for illustrative purposes only and may differ slightly to the actual product

- **Single person assembly**
- **Tools required**
- **We always recommend using professional tradespeople to install your product**

Congratulations on your purchase

And welcome to our growing gang of savvy shoppers

We're on a mission to bring you extraordinary bathroom products, for less. From modern to traditional style ceramics, plus the gorgeous fixtures, fittings and furniture to match. So, you can fall in love with your space every single day.

As one of the UK's largest independent bathroom stores, we've received countless awards; including the National Business Awards UK, the Digital Entrepreneur Awards and being placed on The Sunday Times Fast Track 100.

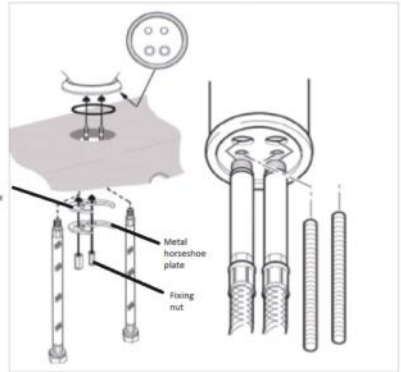
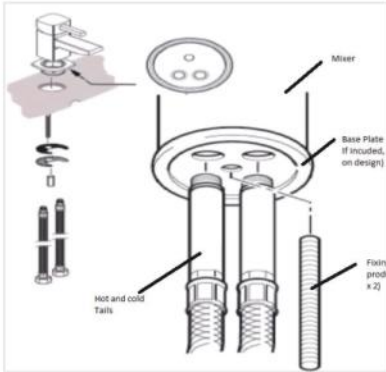
We hope your new product exceeds your highest expectations. However, if you experience any problems, please:

- log in to your account and contact our customer services team via your self-serve portal – betterbathrooms.com/CustomerAccount/Login
- contact us via betterbathrooms.com/content/contact-us

Important information

- Please read these instructions thoroughly and retain for future reference
- Pressures should meet minimum stated on the website qualified installer.
- Pressures to hot and cold supplies should be balanced for optimum performance.
- Always check for pipes and cables before drilling
- System must be flushed through prior to installation.

Parts / Diagrams



Please note: Images are for illustrative purposes only and may differ slightly to the actual product

1. Basin mixer
2. Base plate x 1
3. Metal horseshoe plate x 1
4. Rubber horseshoe washer x 1
5. Fixing nut x 1 or 2 (dependent on style)
6. Fixing bar x 1 or 2 (dependent on style)
7. Hot and cold tails x 1 of each

Tools required

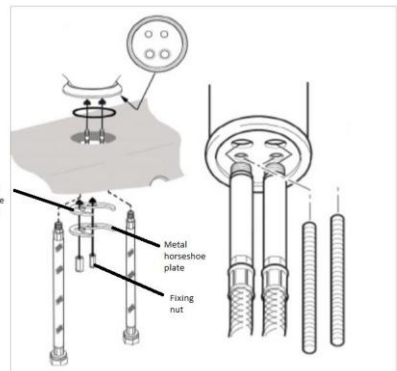
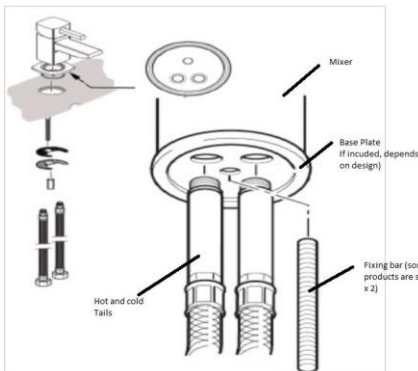
- Spanner

Installation

Please note: Before starting the installation of a new mixer, turn off the water supply

Please note: HOT supply to the left and COLD supply to the right

1. Fit the base plate to the mixer if one is supplied with your product.
2. Place base washer (if provided) between the base plate and the basin/top.
3. Screw the fixing bars into the mixer and tighten.
4. If this is the case, connect one tail, feed this and the fixing bars through the hole.
5. From the underside, feed the second tail through the hole and connect to the mixer.
6. Tighten both tails (hand tighten only - DO NOT use a spanner or grips to tighten and DO NOT use PTFE on the tail threads).
7. Place rubber horseshoe and metal horseshoe around the tails and fixing bars.
8. Push to the underside of the basin and secure using a fixing nut.
9. Position the mixer correctly and tighten nuts to secure.
10. Commissioning should then take place to ensure correct function and check for leaks.



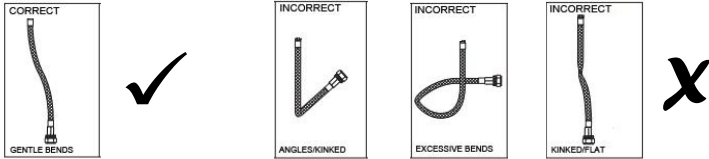
Please note: Images are for illustrative purposes only and may differ slightly to the actual product

IMPORTANT:

When installing the tail threads, it should be done in such a way to prevent kinks, flat spots and excessive bends, which will affect performance and can potentially cause long term damage and leaks.

No bend in the tail should be less than 25mm radius.

Grips and/or a spanner should NOT be used to tighten into the mixer.



Troubleshooting

Mixer drips after being turned off

1. Draining - due to the design of some mixer spouts, water will be held and drip until emptied.
2. Debris inside the valve - remove the valve and flush under running water while turning the spindle.

Poor water flow

1. Insufficient water pressure - increase water pressure and possibly install a pump.
2. System pressure should meet minimum requirement pre-installation.
3. Blockage - check water is reaching the mixer, check valve, mixer tails and supply pipes.
4. Isolation valves not fully opened.

Water not mixing

1. Hot and Cold supplies not balanced - increase or decrease pressures to balance. (Always maintain the minimum pressure requirement)
2. Blockage / Check water is reaching the mixer, check valve, mixer tails and supply pipes.

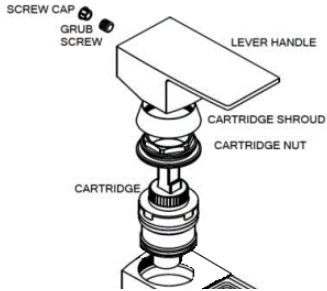
Maintenance

Cartridge removal for various designs

IMPORTANT: Ensure to turn off the water supply to the mixer prior to any maintenance

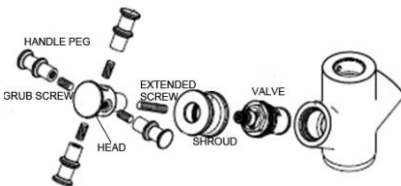
Please note: Design may vary from those shown below

Design A



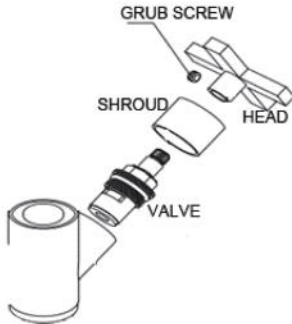
1. Remove screw cap cover (This could be at front or back of handle)
2. Loosen grub screw using a hex key.
3. Pull handle from the mixer.
4. Unscrew cartridge shroud.
5. Using a spanner remove cartridge nut.
6. Pull the cartridge from the mixer.
7. Carry out maintenance.
8. Replace cartridge ensuring to locate pins on the underside of the cartridge with holes inside the mixer.
9. Replace all components (do not overtighten cartridge nut).

Design B



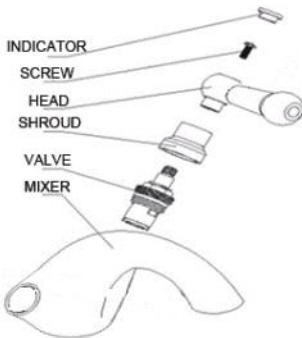
1. Unscrew all handle pegs
2. Remove grub screws using a hex key
3. Pull head section from the mixer
4. Remove extended screw
5. Unscrew the cartridge shroud
6. Using a spanner remove cartridge nut.
7. Pull the cartridge from the mixer.
8. Carry out maintenance.
9. Replace cartridge ensuring to locate pins on the underside of the cartridge with holes inside the mixer.
10. Replace all components (do not overtighten cartridge nut).

Design C



1. Remove grub screw using a hex key
2. Pull handle from the mixer
3. Unscrew the cartridge shroud
4. Using a spanner remove cartridge nut.
5. Pull the cartridge from the mixer.
6. Carry out maintenance.
7. Replace cartridge ensuring to locate pins on the underside of the cartridge with holes inside the mixer.
8. Replace all components (do not overtighten cartridge nut).

Design D



1. Remove H or C indicator
2. Using a screwdriver remove handle screw
3. Pull head from the mixer
4. Unscrew the cartridge shroud
5. Using a spanner remove cartridge nut.
6. Pull the cartridge from the mixer.
7. Carry out maintenance.
8. Replace cartridge ensuring to locate pins on the underside of the cartridge with holes inside the mixer.
9. Replace all components (Do not overtighten cartridge nut).

Cleaning

To maintain the surface finish of your product, wipe clean regularly, using a clean damp cloth and dry cloth to polish. Do not use abrasive cleaning agents or materials on the product surface as you may invalidate your guarantee. Should any harsh chemicals come into contact with the surface of the product during bathroom cleaning, rinse off immediately, wipe clean and dry.

For more information

- visit betterbathrooms.com
- email customerservices@buyitdirect.co.uk
- call 0330 390 3062
- write to Trident Business Park, Neptune Way, Huddersfield, HD2 1UA

**better
bathrooms**

Part of the BuyItDirect Group